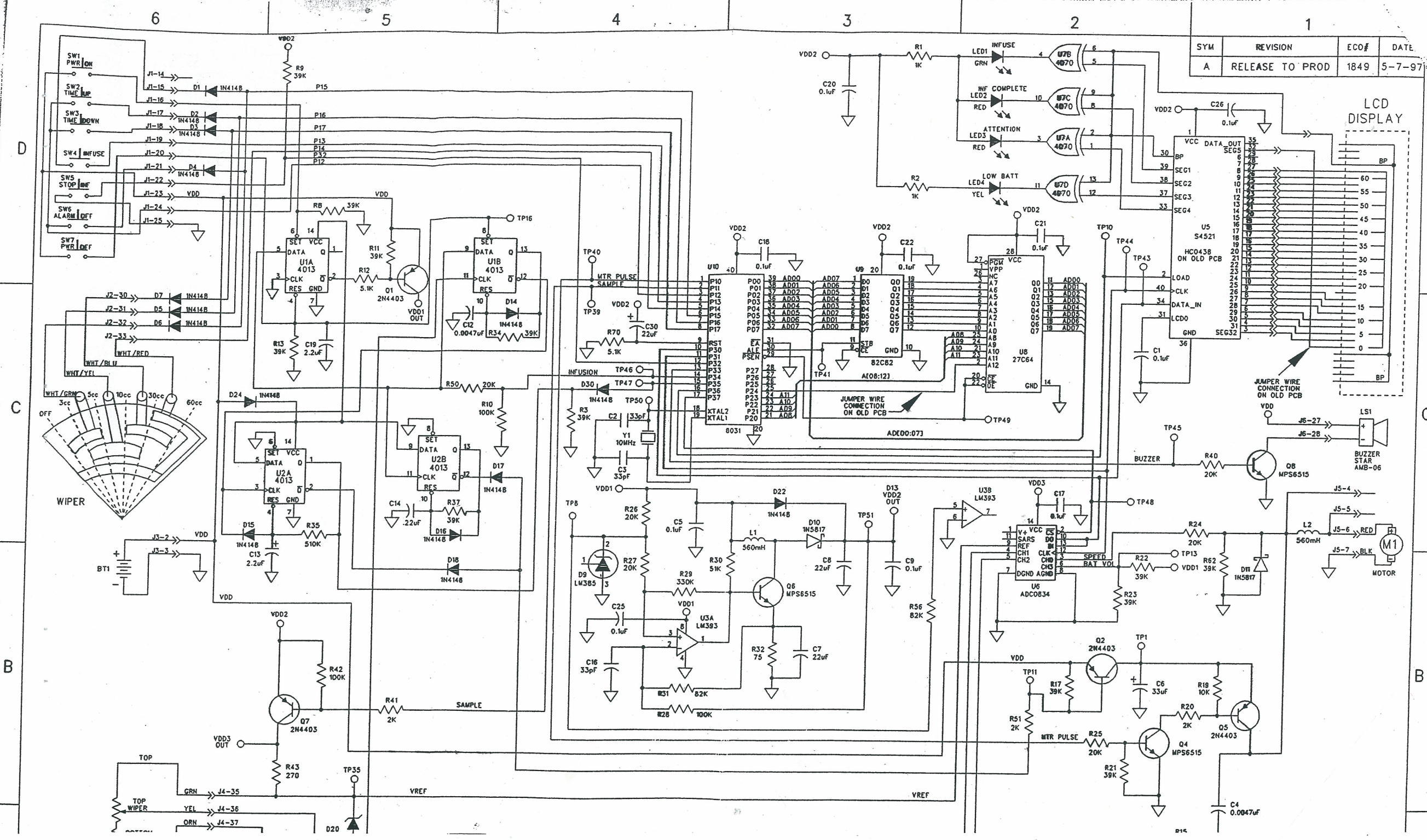


SYM	REVISION	ECO#	DATE
A	RELEASE TO PROD	1849	5-7-97



D

C

B

D

C

B

1